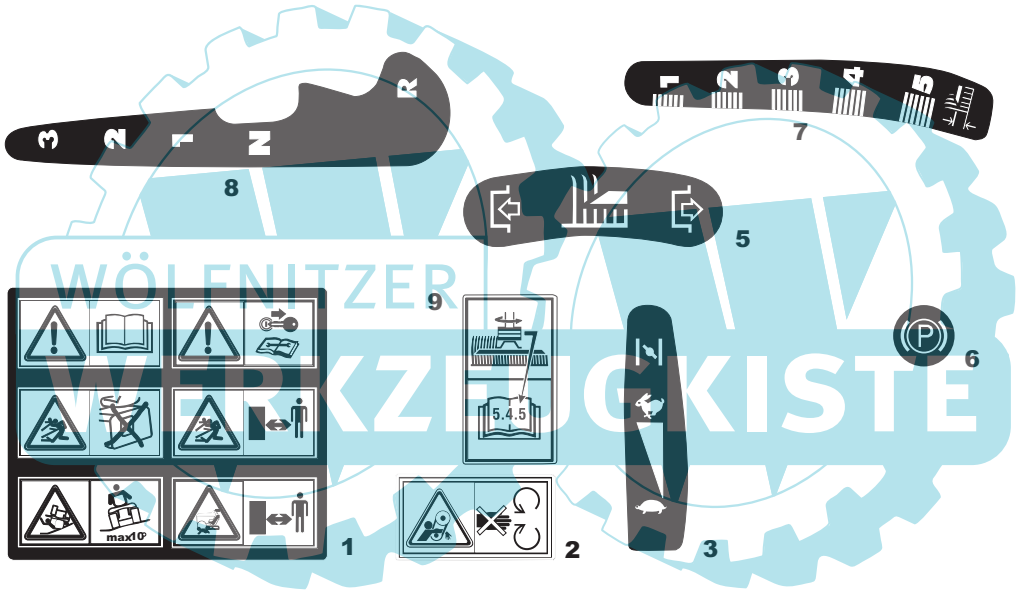


B077A

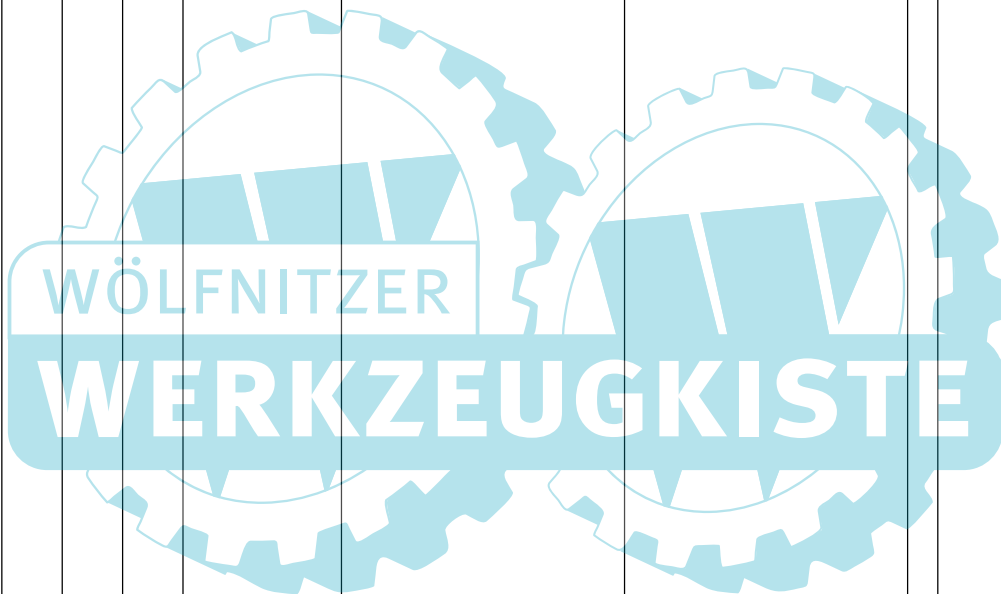


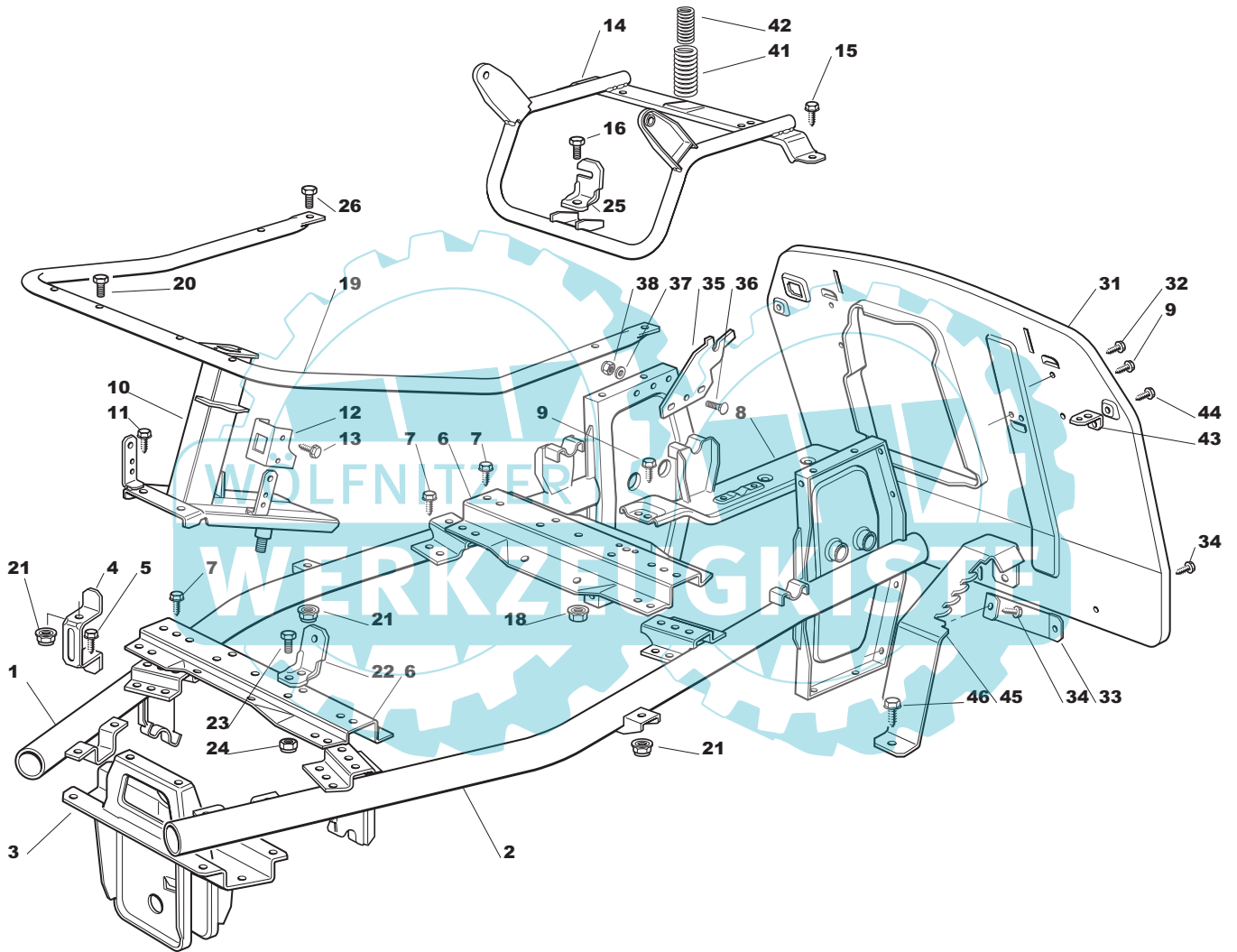
| Ausgabe Issue 2004- 1 | | Bild Nr Picture No B077A | | VARIOLUX 63 AME KAROSSERIE | | VARIOLUX 63 AME BODY WORK | | Seite Page 76 | |
|-----------------------------|-----------------|--------------------------------|--|-------------------------------|------------------------|------------------------------|---------------------------|---------------------|--------------------|
| Pos. Fig. | Anzahl/Quantity | | | | Artikel Nr. Part No | Bezeichnung | Description | Satz Kit | Anmerkung Notes |
| | | | | | | | | | |
| 1 | 1 | | | | 1136-1159-01 | Radkappe- rot | Wheel cover- red | | |
| 2 | 1 | | | | 1136-1160-01 | Motorkappe- rot..... | Engine cover- red | | |
| 3 | 4 | | | | 9836-9635-12 | Schraube | Screw | | |
| 4 | 4 | | | | 9699-0060-02 | Scheibe..... | Flat washer..... | | |
| 5 | 2 | | | | 9836-9618-12 | Schraube | Screw | | |
| 7 | 1 | | | | 1136-1161-01 | Sackkappe- rot..... | Grass catcher cover | | |
| 8 | 1 | | | | 1136-0956-01 | Griff | Handle | | |
| 21 | 1 | | | | 1136-0767-01 | Gashebel..... | Throttle lever..... | | |
| 22 | 2 | | | | 9699-0060-02 | Scheibe..... | Flat washer..... | | |
| 23 | 1 | | | | 1136-0608-01 | Scheibe..... | Washer..... | | |
| 24 | 1 | | | | 9997-0625-16 | Schraube | Screw | | |
| 25 | 1 | | | | 9747-0631-02 | Mutter | Lock nut..... | | |
| 26 | 1 | | | | 1136-0709-01 | Platte | Plate | | |
| 27 | 2 | | | | 9847-7816-16 | Schraube | Screw | | |
| 28 | 1 | | | | 1136-1059-01 | Gaskabel..... | Throttle cable | | |
| 41 | 1 | | | | 1136-0920-01 | Sitz | Seat | | |
| 42 | 1 | | | | 1136-0973-01 | Halter..... | Seat support | | |
| 43 | 4 | | | | 9997-0820-16 | • Schraube | • Screw | | |
| 44 | 4 | | | | 9683-0030-02 | • Scheibe..... | • Lock washer..... | | |
| 45 | 4 | | | | 9699-0056-02 | • Scheibe..... | • Flat washer..... | | |
| 46 | 1 | | | | 1136-1017-01 | Bolzen..... | Pin | | |
| 47 | 1 | | | | 1136-0095-01 | Schließnadel..... | Hair pin | | |
| 48 | 1 | | | | 1136-0942-01 | Nocken | Cam | | |
| 49 | 2 | | | | 1136-0820-01 | Schraube | Screw | | |
| 50 | 2 | | | | 9747-0531-02 | Mutter | Nut | | |
| 61 | 1 | | | | 1136-1019-01 | Lenkrad | Steering wheel | | |
| 62 | 1 | | | | 1136-0810-01 | Stift..... | Pin | | |
| 63 | 1 | | | | 1136-0982-01 | Schutz | Guard | | |
| 64 | 1 | | | | 1136-0873-01 | Stopfen..... | Cap | | |
| 71 | 1 | | | | 1136-0984-01 | Schutz | Guard | | |
| 72 | 1 | | | | 1136-0983-01 | Schutz | Guard | | |
| 73 | 2 | | | | 9847-7813-16 | Schraube | Screw | | |
| 81 | 1 | | | | 1136-1013-01 | Tankhalter | Tank support | | |
| 82 | 1 | | | | 1136-0995-01 | Benzintank..... | Fuel tank | | |
| 83 | 1 | | | | 1136-0981-01 | Schutz | Guard | | |
| 84 | 1 | | | | 1136-1014-01 | Tankverschluß | Tank cap..... | | |
| 99 | 1 | | | | 1136-1109-01 | Schraubensatz..... | Screw set | | Inkl. 43 - 45 |





| Ausgabe Issue 2004- 1 | | Bild Nr Picture No B078A | | VARIOLUX 63 AME KLEBZETTEL | | VARIOLUX 63 AME LABELS | | Seite Page 78 | |
|-----------------------------|-----------------|--------------------------------|--|-------------------------------|------------------------|---------------------------|-------------|---------------------|--------------------|
| Pos. Fig. | Anzahl/Quantity | | | | Artikel Nr. Part No | Bezeichnung | Description | Satz Kit | Anmerkung Notes |
| | | | | | | | | | |
| 1 | 1 | | | | 1136-0035-01 | Klebzettel | Label | | |
| 2 | 1 | | | | 1136-0021-01 | Klebzettel | Label | | |
| 3 | 1 | | | | 1136-0827-01 | Klebzettel | Label | | |
| 5 | 1 | | | | 1136-0830-01 | Klebzettel | Label | | |
| 6 | 1 | | | | 1136-0831-01 | Klebzettel | Label | | |
| 7 | 1 | | | | 1136-0829-01 | Klebzettel | Label | | |
| 8 | 1 | | | | 1136-0828-01 | Klebzettel | Label | | |
| 9 | 1 | | | | 1136-0833-01 | Klebzettel | Label | | |

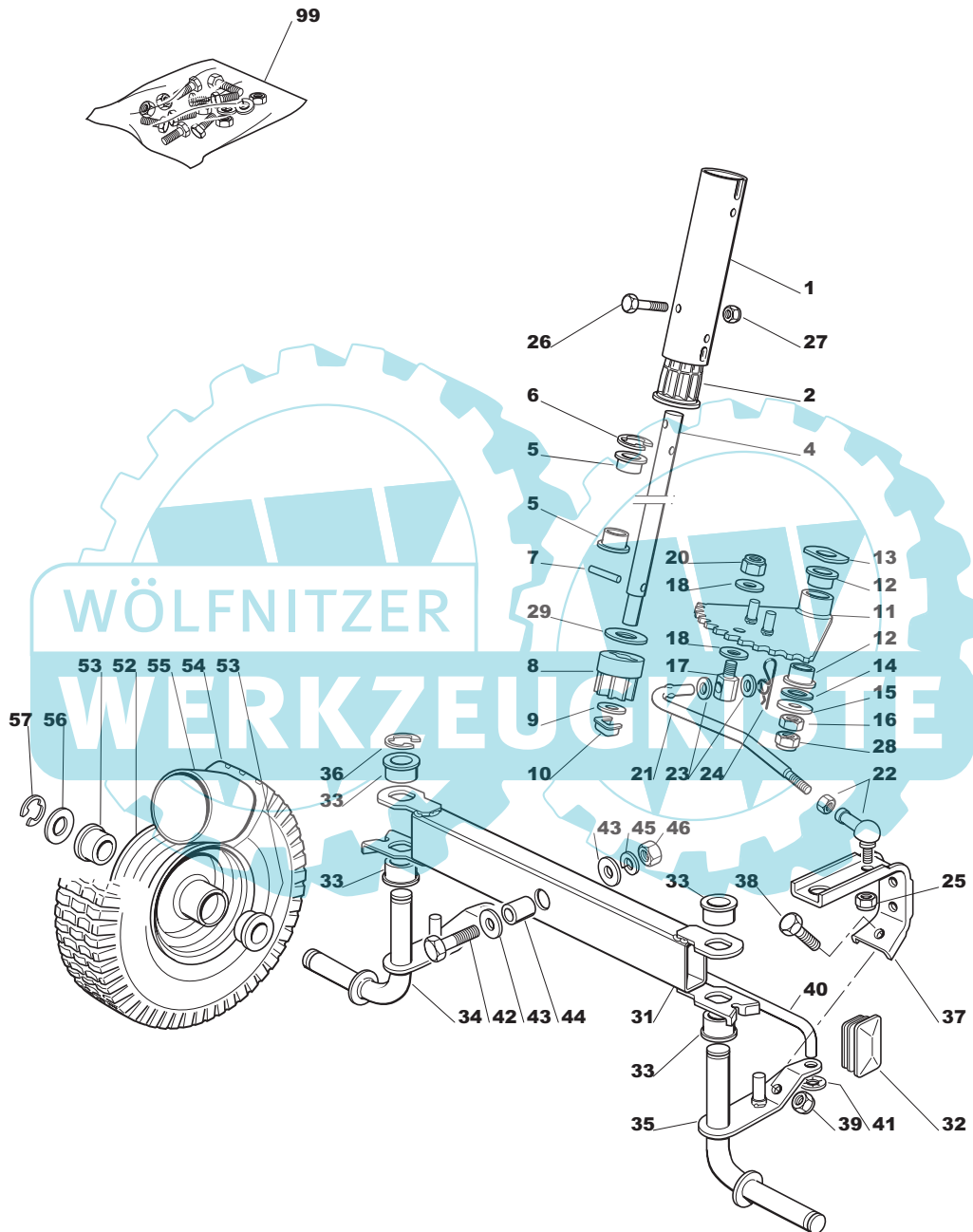




B079A



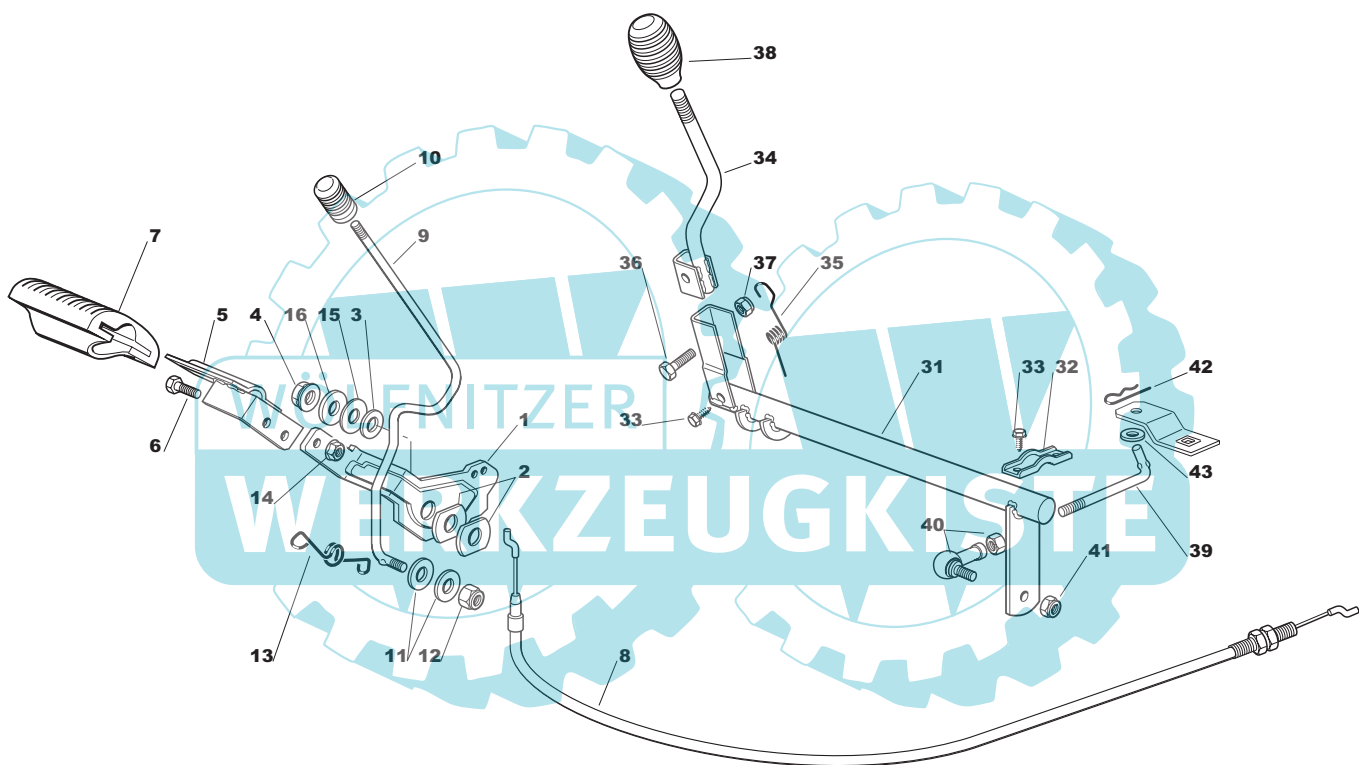
| Ausgabe Issue 2004- 1 | | Bild Nr Picture No B079A | | VARIOLUX 63 AME CHASSIE | VARIOLUX 63 AME CHASSIS | Seite Page 80 | | |
|-----------------------------|-----------------|--------------------------------|--|----------------------------|----------------------------|---------------------|-------------|--------------------|
| Pos. Fig. | Anzahl/Quantity | | | Artikel Nr. Part No | Bezeichnung | Description | Satz Kit | Anmerkung Notes |
| | | | | | | | | |
| 1 | 1 | | | 1136-1085-01 | Längsträger- R..... | Side frame- RH..... | | |
| 2 | 1 | | | 1136-1086-01 | Längsträger- L..... | Side frame- LH..... | | |
| 3 | 1 | | | 1136-1100-01 | Halter..... | Support..... | | |
| 4 | 2 | | | 1136-1005-01 | Bügel..... | Clamp..... | | |
| 5 | 6 | | | 1136-0815-01 | Schraube..... | Screw..... | | |
| 6 | 2 | | | 1136-0988-01 | Verstärkung..... | Reinforcement..... | | |
| 7 | 10 | | | 1136-0815-01 | Schraube..... | Screw..... | | |
| 8 | 1 | | | 1136-1094-01 | Verstärkung..... | Reinforcement..... | | |
| 9 | 4 | | | 1136-0815-01 | Schraube..... | Screw..... | | |
| 10 | 1 | | | 1136-1101-01 | Halter..... | Support..... | | |
| 11 | 6 | | | 1136-0815-01 | Schraube..... | Screw..... | | |
| 12 | 1 | | | 1136-0421-01 | Halter..... | Clamp..... | | |
| 13 | 2 | | | 9847-7816-16 | Schraube..... | Screw..... | | |
| 14 | 1 | | | 1136-1102-01 | Halter..... | Support..... | | |
| 15 | 2 | | | 1136-0815-01 | Schraube..... | Screw..... | | |
| 16 | 1 | | | 9997-0830-16 | Schraube..... | Screw..... | | |
| 18 | 1 | | | 9739-0831-22 | Mutter..... | Nut..... | | |
| 19 | 1 | | | 1136-1018-01 | Halter..... | Support..... | | |
| 20 | 2 | | | 9997-0630-12 | Schraube..... | Screw..... | | |
| 21 | 4 | | | 9747-0631-02 | Mutter..... | Lock nut..... | | |
| 22 | 1 | | | 1136-1010-01 | Winkel..... | Angle bracket..... | | |
| 23 | 1 | | | 9997-0616-16 | Schraube..... | Screw..... | | |
| 24 | 1 | | | 9747-0631-02 | Mutter..... | Lock nut..... | | |
| 25 | 1 | | | 1136-1206-01 | Winkel..... | Angle bracket..... | | |
| 26 | 2 | | | 9997-0625-16 | Schraube..... | Screw..... | | |
| 31 | 1 | | | 1136-1090-01 | Platte- hintere..... | Plate- rear..... | | |
| 32 | 4 | | | 1136-0815-01 | Schraube..... | Screw..... | | |
| 33 | 2 | | | 1136-0987-01 | Verstärkung..... | Reinforcement..... | | |
| 34 | 4 | | | 1136-0815-01 | Schraube..... | Screw..... | | |
| 35 | 2 | | | 1136-1007-01 | Bügel..... | Clamp..... | | |
| 36 | 2 | | | 1136-0825-01 | Schraube..... | Screw..... | | |
| 37 | 2 | | | 9699-0090-02 | Scheibe..... | Flat washer..... | | |
| 38 | 2 | | | 9747-0831-02 | Mutter..... | Lock nut..... | | |
| 41 | 1 | | | 1136-0960-01 | Feder..... | Spring..... | | |
| 42 | 1 | | | 1136-0962-01 | Feder..... | Spring..... | | |
| 43 | 2 | | | 1136-0999-01 | Winkel..... | Angle bracket..... | | |
| 44 | 2 | | | 9847-8116-16 | Schraube..... | Screw..... | | |
| 45 | 1 | | | 1136-0997-01 | Zahnschiene..... | Rack..... | | |
| 46 | 2 | | | 1136-0815-01 | Schraube..... | Screw..... | | |



B080A



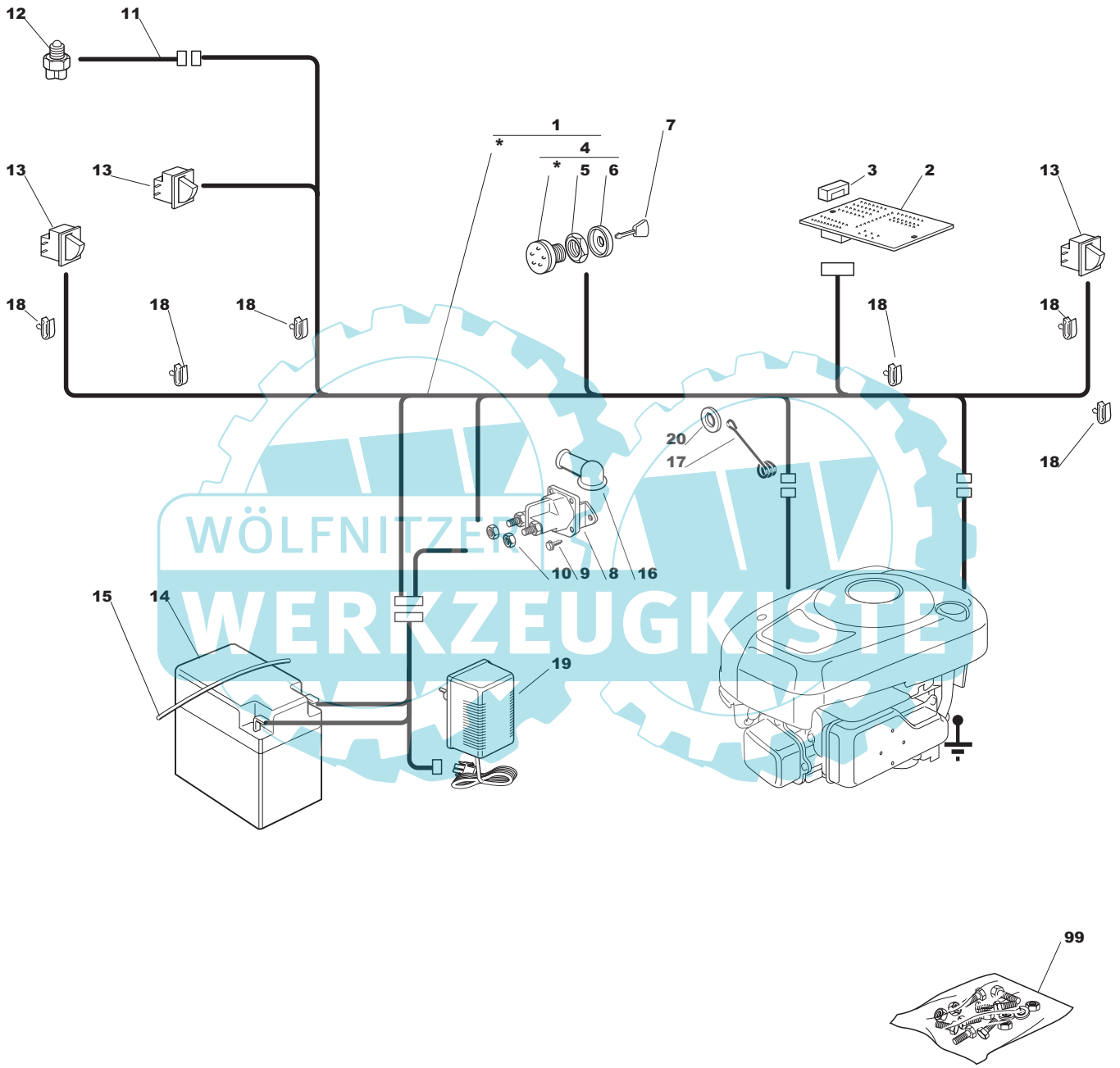
| Ausgabe Issue 2004- 1 | | Bild Nr Picture No B080A | | VARIOLUX 63 AME LENKUNG | VARIOLUX 63 AME STEERING | Seite Page 82 | | |
|-----------------------------|-----------------|--------------------------------|--|----------------------------|-----------------------------|------------------------|-------------|--------------------|
| Pos. Fig. | Anzahl/Quantity | | | Artikel Nr. Part No | Bezeichnung | Description | Satz Kit | Anmerkung Notes |
| | | | | | | | | |
| 1 | 1 | | | 1136-0955-01 | Verlängerungsstück..... | Column extension | | |
| 2 | 1 | | | 1136-0939-01 | Buchse..... | Bush..... | | |
| 4 | 1 | | | 1136-0970-01 | Lenkungssäule..... | Steering column..... | | |
| 5 | 2 | | | 1136-0938-01 | Buchse..... | Bush..... | | |
| 6 | 1 | | | 9652-0015-04 | Seegersicherung..... | Retaining ring | | |
| 7 | 1 | | | 9595-0262-00 | Spannstift..... | Locating pin | | |
| 8 | 1 | | | 1136-0408-01 | Ritzel | Steering pinion..... | | |
| 9 | 1 | | | 9699-0037-02 | Scheibe..... | Washer..... | | |
| 10 | 1 | | | 1136-0008-01 | Schließplatte..... | Lock plate | | |
| 11 | 1 | | | 1136-1095-01 | Zahnkranz..... | Ring gear | | |
| 12 | 2 | | | 1136-0938-01 | Buchse..... | Bush..... | | |
| 13 | 1 | | | 1136-0993-01 | Scheibe..... | Washer..... | | |
| 14 | 1 | | | 1136-0089-01 | Scheibe..... | Washer..... | | |
| 15 | 1 | | | 1136-1461-01 | Scheibe..... | Washer..... | | |
| 16 | 1 | | | 9799-0831-02 | Mutter..... | Nut..... | | |
| 17 | 1 | | | 1136-0243-01 | Gelenkbolzen..... | Pivot bolt..... | | |
| 18 | 2 | | | 1136-0308-01 | Scheibe..... | Washer..... | | |
| 20 | 1 | | | 9747-1031-02 | Mutter..... | Lock nut..... | | |
| 21 | 1 | | | 1136-0935-01 | Stange..... | Rod..... | | |
| 22 | 1 | | | 1136-0093-01 | Gelenk..... | Ball joint..... | | |
| 23 | 2 | | | 1136-0308-01 | Scheibe..... | Washer..... | | |
| 24 | 1 | | | 9598-0002-02 | Schließnadel..... | Pin lock..... | | |
| 25 | 1 | | | 9747-0831-02 | Mutter..... | Lock nut..... | | |
| 26 | 2 | | | 9997-0645-12 | Schraube..... | Screw..... | | |
| 27 | 2 | | | 9747-0631-02 | Mutter..... | Lock nut..... | | |
| 28 | 1 | | | 9747-0831-02 | Mutter..... | Lock nut..... | | |
| 29 | 1 | | | 1136-0993-01 | Scheibe..... | Washer..... | | |
| 31 | 1 | | | 1136-1064-01 | Vorderachse..... | FRont axle..... | | |
| 32 | 2 | | | 1136-0842-01 | Verschluß..... | Cap..... | | |
| 33 | 4 | | | 1136-0938-01 | Buchse..... | Bush..... | | |
| 34 | 1 | | | 1136-1076-01 | Achsschenkel- R..... | Stub axle- RH..... | | |
| 35 | 1 | | | 1136-1077-01 | Achsschenkel- L..... | Stub axle- LH..... | | |
| 36 | 1 | | | 1136-0805-01 | Sprengring..... | Snap ring..... | | |
| 37 | 1 | | | 1136-1011-01 | Halter..... | Support..... | | |
| 38 | 1 | | | 9997-0820-16 | Schraube..... | Screw..... | | |
| 39 | 1 | | | 9747-0831-02 | Mutter..... | Lock nut..... | | |
| 40 | 1 | | | 1136-1015-01 | Spannstange..... | Tie rod..... | | |
| 41 | 2 | | | 9675-0012-02 | Verriegelungsscheibe..... | Locking washer..... | | |
| 42 | 1 | | | 9997-1260-02 | Schraube..... | Screw..... | | |
| 43 | 2 | | | 1136-0016-01 | Scheibe..... | Washer..... | | |
| 44 | 1 | | | 1136-0165-01 | Distanz..... | Spacer..... | | |
| 45 | 1 | | | 9683-0055-02 | Scheibe..... | Lock washer..... | | |
| 46 | 1 | | | 9799-1231-02 | Mutter..... | Nut..... | | |
| 52 | 2 | | | 1136-1066-01 | Felge..... | Rim..... | | |
| 53 | 4 | | | 1136-0936-01 | Buchse..... | Bush..... | | |
| 54 | 2 | | | 1136-0976-01 | Reifen..... | Tire..... | | |
| 55 | 2 | | | 1136-0978-01 | Innenschlauch..... | Inner tube..... | | |
| 56 | 2 | | | 9699-0104-02 | Scheibe..... | Washer..... | | |
| 57 | 2 | | | 1136-0805-01 | Sprengring..... | Snap ring..... | | |
| 99 | 1 | | | 1136-1109-01 | Schraubensatz..... | Screw set..... | | Inkl. 26, 27 |



B081A



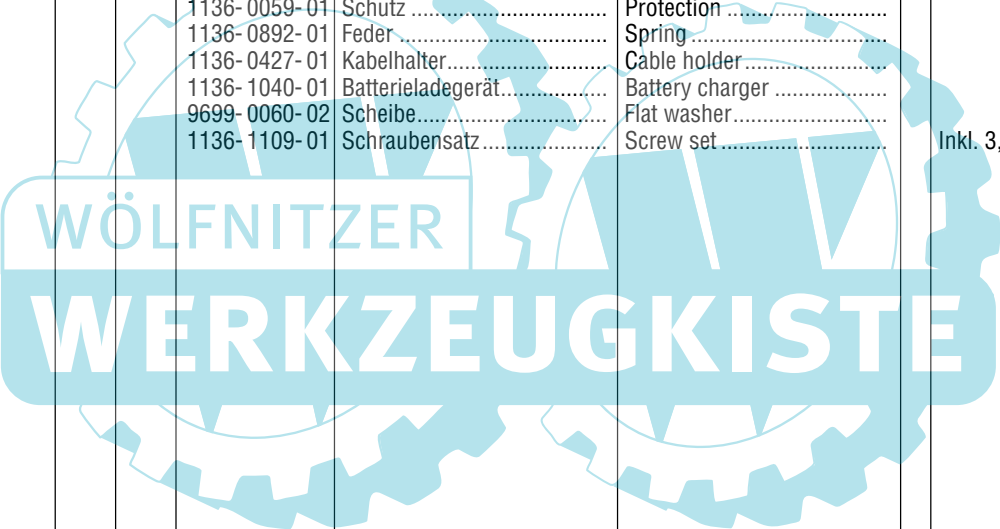
| Ausgabe Issue | | Bild Nr Picture No | | VARIOLUX 63 AME REGULIERUNGEN | | VARIOLUX 63 AME CONTROLS | | Seite Page | |
|------------------|-----------------|-----------------------|--|----------------------------------|------------------------|-----------------------------|-----------------------|---------------|--------------------|
| 2004- 1 | | B081A | | | | | | 84 | |
| Pos. Fig. | Anzahl/Quantity | | | | Artikel Nr. Part No | Bezeichnung | Description | Satz Kit | Anmerkung Notes |
| | | | | | | | | | |
| 1 | 1 | | | | 1136-0968-01 | Pedal | Pedal | | |
| 2 | 2 | | | | 1136-0993-01 | Scheibe..... | Washer..... | | |
| 3 | 1 | | | | 9699-0090-02 | Scheibe..... | Flat washer..... | | |
| 4 | 1 | | | | 9739-0831-22 | Mutter | Nut | | |
| 5 | 1 | | | | 1136-1089-01 | Pedal- Oberteil | Pedal- upper..... | | |
| 6 | 2 | | | | 9997-0616-16 | Schraube | Screw..... | | |
| 7 | 1 | | | | 1136-0152-01 | Pedaldeckel | Pedal cover | | |
| 8 | 1 | | | | 1136-1210-01 | Kabel | Cable | | |
| 9 | 1 | | | | 1136-0933-01 | Stange | Rod | | |
| 10 | 1 | | | | 1136-0392-01 | Knopf..... | Knob | | |
| 11 | 2 | | | | 1136-0309-01 | Scheibe..... | Washer..... | | |
| 12 | 1 | | | | 9747-0831-02 | Mutter..... | Lock nut..... | | |
| 13 | 1 | | | | 1136-0959-01 | Feder | Spring | | |
| 14 | 2 | | | | 9739-0631-22 | Mutter | Nut | | |
| 15 | 1 | | | | 1136-1204-01 | Scheibe..... | Washer..... | | |
| 16 | 1 | | | | 9699-0056-02 | Scheibe..... | Flat washer..... | | |
| 31 | 1 | | | | 1136-1062-01 | Achse..... | Gear shift axle..... | | |
| 32 | 2 | | | | 1136-0406-01 | Bügel | Clamp..... | | |
| 33 | 5 | | | | 9847-8116-16 | Schraube | Screw..... | | |
| 34 | 1 | | | | 1136-1080-01 | Schalthebel | Gear shift lever..... | | |
| 35 | 1 | | | | 1136-0963-01 | Feder | Spring | | |
| 36 | 1 | | | | 9997-0635-12 | Schraube | Screw..... | | |
| 37 | 1 | | | | 9747-0631-02 | Mutter | Lock nut..... | | |
| 38 | 1 | | | | 1136-0197-01 | Griff..... | Knob | | |
| 39 | 1 | | | | 1136-0932-01 | Stange | Rod | | |
| 40 | 1 | | | | 1136-0093-01 | Gelenk | Ball joint..... | | |
| 41 | 1 | | | | 9747-0831-02 | Mutter..... | Lock nut..... | | |
| 42 | 1 | | | | 1136-0095-01 | Schließnadel | Hair pin..... | | |
| 43 | 1 | | | | 1136-0309-01 | Scheibe..... | Washer..... | | |

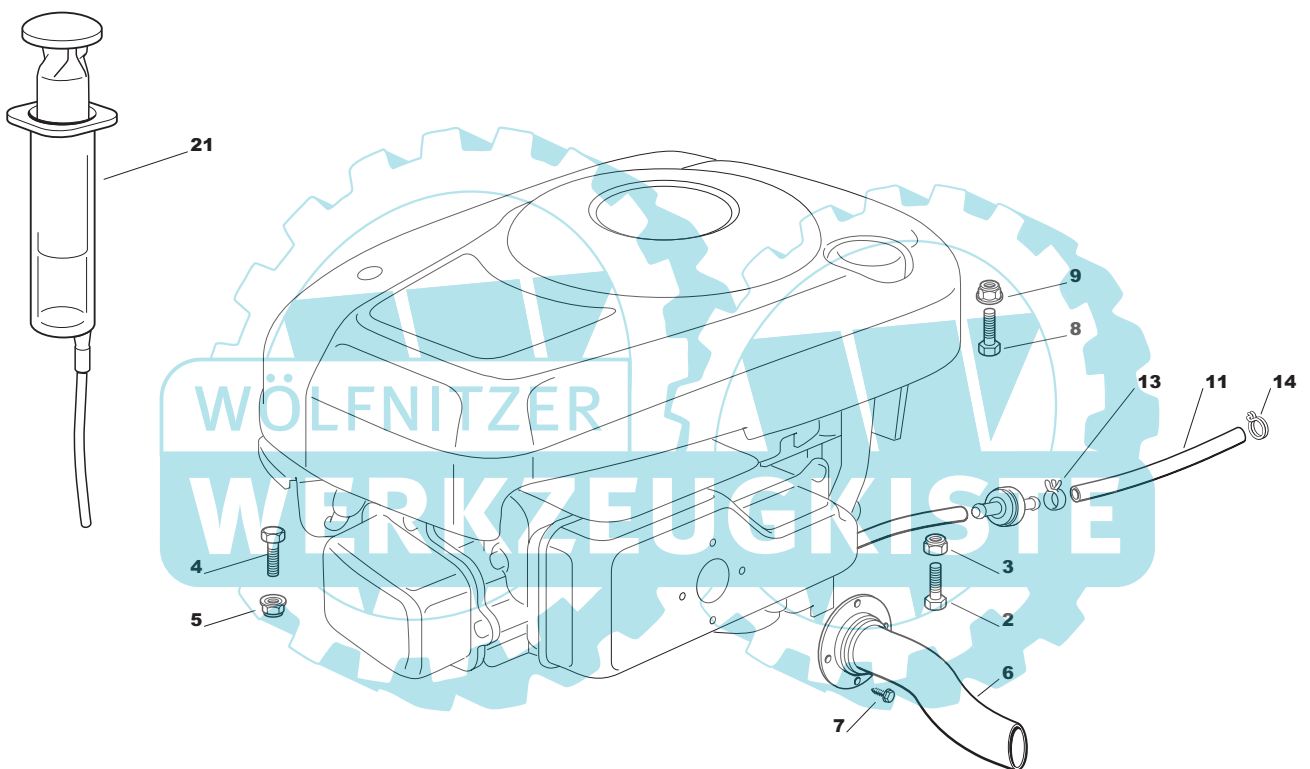


B082A



| Ausgabe Issue | | Bild Nr Picture No | | VARIOLUX 63 AME EL. AUSSTATTUNG | | VARIOLUX 63 AME EL. EQUIPMENT | | Seite Page | |
|------------------|-----------------|-----------------------|--|------------------------------------|--------------------------|----------------------------------|-------------|----------------------|------------|
| 2004- 1 | | B082A | | | | | | 86 | |
| Pos. Fig. | Anzahl/Quantity | | | Artikel Nr. Part No | Bezeichnung | Description | Satz Kit | Anmerkung Notes | |
| | | | | | | | | | |
| 1 | 1 | | | 1136-1065-01 | Kabelsatz | Harness..... | | | |
| 2 | 1 | | | 1136-0994-01 | Elektronische Karte..... | Electronic card | | | |
| 3 | 1 | | | 1136-0428-01 | • Sicherung | • Fuse | | 6.3 A Inkl. 5 - 7 | |
| 4 | 1 | | | 1136-0056-01 | Zündschloß..... | Ignition switch | | | |
| 5 | 1 | | | 1136-0049-01 | • Mutter..... | • Nut | | | |
| 6 | 1 | | | 1134-4097-01 | • Deckel..... | • Cap | | | |
| 7 | 1 | | | 1134-2848-01 | • Zündschlüssel..... | • Ignition key | | | |
| 8 | 1 | | | 1136-0065-01 | Anlassrelais | Solenoid..... | | | |
| 9 | 2 | | | 9848-8013-16 | Schraube | Screw..... | | | |
| 10 | 2 | | | 9794-5131-02 | Mutter | Nut | | | |
| 11 | 1 | | | 1136-0943-01 | Kabel | Cable | | | |
| 12 | 1 | | | 1136-0846-01 | Schalter-Getriebe | Switch- gearbox | | | |
| 13 | 3 | | | 1136-0073-01 | Mikroschalter..... | Micro switch | | | |
| 14 | 1 | | | 1136-0834-01 | Batterie | Battery | | | |
| 15 | 1 | | | 1136-0965-01 | Feder | Spring | | | |
| 16 | 1 | | | 1136-0059-01 | Schutz | Protection | | | |
| 17 | 1 | | | 1136-0892-01 | Feder | Spring | | | |
| 18 | 5 | | | 1136-0427-01 | Kabelhalter..... | Cable holder..... | | | |
| 19 | 1 | | | 1136-1040-01 | Batterieladegerät..... | Battery charger | | | |
| 20 | 1 | | | 9699-0060-02 | Scheibe..... | Flat washer..... | | | |
| 99 | 1 | | | 1136-1109-01 | Schraubensatz..... | Screw set | | | Inkl. 3, 7 |

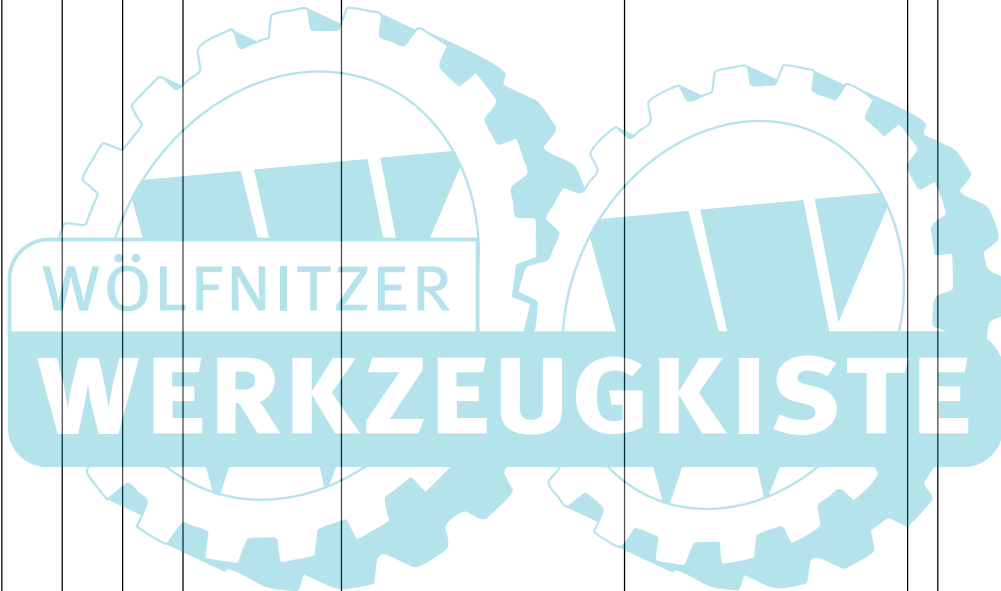


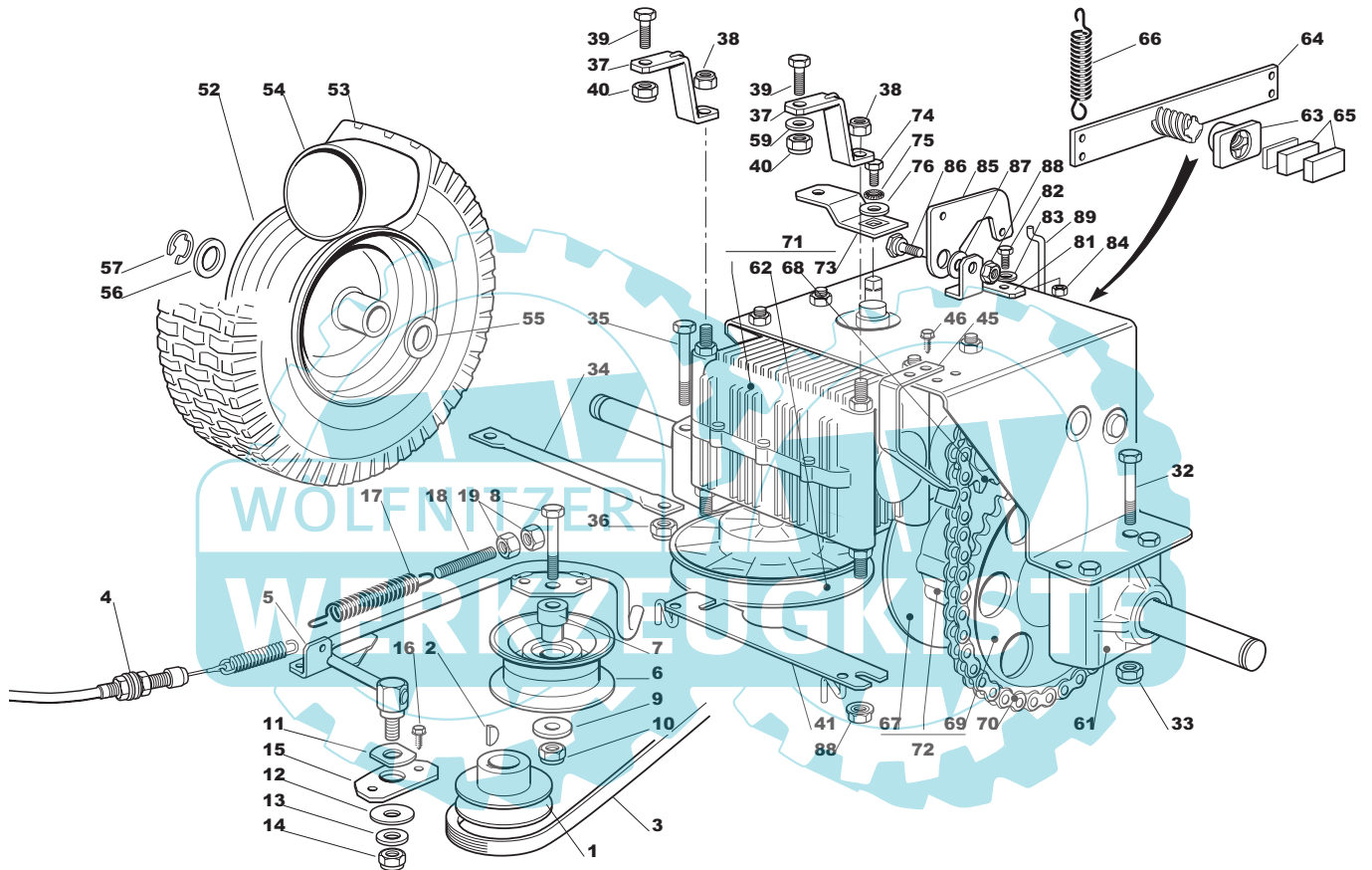


B083A



| Ausgabe Issue | | Bild Nr Picture No | | VARIOLUX 63 AME MOTOR | | VARIOLUX 63 AME ENGINE | | Seite Page | |
|------------------|-----------------|-----------------------|--|--------------------------|----------------------|---------------------------|-------------|--------------------|--|
| 2004- 1 | | B083A | | | | | | 88 | |
| Pos. Fig. | Anzahl/Quantity | | | Artikel Nr. Part No | Bezeichnung | Description | Satz Kit | Anmerkung Notes | |
| | | | | | | | | | |
| 2 | 1 | | | 9997-0860-16 | Schraube | Screw | | | |
| 3 | 1 | | | 9747-0831-02 | Mutter | Lock nut | | | |
| 4 | 1 | | | 9997-0830-16 | Schraube | Screw | | | |
| 5 | 1 | | | 9739-0831-22 | Mutter | Nut | | | |
| 6 | 1 | | | 1136-1105-01 | Abgasrohr | Exhaust tube | | | |
| 7 | 4 | | | 1136-0814-01 | Schraube | Screw | | | |
| 8 | 1 | | | 9997-0835-12 | Schraube | Screw | | | |
| 9 | 1 | | | 9739-0831-22 | Mutter | Nut | | | |
| 11 | 1 | | | 1136-1025-01 | Benzinrohr | Fuel line | | | |
| 13 | 1 | | | 1136-0045-01 | Schlauchklemme | Hose clamp | | | |
| 14 | 1 | | | 1136-0046-01 | Schlauchklemme | Hose clamp | | | |
| 21 | 1 | | | 1134-3898-01 | Ölpumpe | Oil pump | | | |





B084A



| Ausgabe Issue | | Bild Nr Picture No | | VARIOLUX 63 AME TRANSMISSION | VARIOLUX 63 AME TRANSMISSION | Seite Page | | |
|------------------|-----------------|-----------------------|--|---------------------------------|---------------------------------|-------------------------|-------------|--------------------|
| 2004- 1 | | B084A | | | | 90 | | |
| Pos. Fig. | Anzahl/Quantity | | | Artikel Nr. Part No | Bezeichnung | Description | Satz Kit | Anmerkung Notes |
| | | | | | | | | |
| 1 | 1 | | | 1136-0985-01 | Riemenscheibe | Pulley | | |
| 2 | 1 | | | 9600-0014-00 | Keil | Key | | |
| 3 | 1 | | | 1136-1021-01 | Riemen | Drive belt | | |
| 4 | 1 | | | 1136-1074-01 | Kupplungsdraht | Clutch cable | | |
| 5 | 1 | | | 1136-1083-01 | Hebel | Tension lever | | |
| 6 | 1 | | | 1136-0986-01 | Riemenscheibe | Pulley | | |
| 7 | 1 | | | 1136-0940-01 | Buchse | Bush | | |
| 8 | 1 | | | 9997-0845-12 | Schraube | Screw | | |
| 9 | 1 | | | 9699-0056-02 | Scheibe | Flat washer | | |
| 10 | 1 | | | 9747-0831-02 | Mutter | Lock nut | | |
| 11 | 1 | | | 1136-0993-01 | Scheibe | Washer | | |
| 12 | 1 | | | 1136-0014-01 | Scheibe | Washer | | |
| 13 | 1 | | | 1136-0309-01 | Scheibe | Washer | | |
| 14 | 1 | | | 9747-0831-02 | Mutter | Lock nut | | |
| 15 | 1 | | | 1136-0972-01 | Platte | Plate | | |
| 16 | 2 | | | 1136-0815-01 | Schraube | Screw | | |
| 17 | 1 | | | 1136-0208-01 | Feder | Spring | | |
| 18 | 1 | | | 1136-0348-01 | Spannstange | Tie rod | | |
| 19 | 2 | | | 9799-0831-02 | Mutter | Nut | | |
| 32 | 3 | | | 9997-0880-16 | Schraube | Screw | | |
| 33 | 4 | | | 9739-0831-22 | Mutter | Nut | | |
| 34 | 1 | | | 1136-1016-01 | Verstärkung | Reinforcement | | |
| 35 | 1 | | | 1136-0358-01 | Schraube | Screw | | |
| 36 | 2 | | | 9747-0831-02 | Mutter | Lock nut | | |
| 37 | 2 | | | 1136-0990-01 | Verstärkung | Reinforcement | | |
| 38 | 2 | | | 9747-0831-02 | Mutter | Lock nut | | |
| 39 | 1 | | | 9997-0830-16 | Schraube | Screw | | |
| 40 | 1 | | | 9739-0831-22 | Mutter | Nut | | |
| 41 | 1 | | | 1136-1078-01 | Riemenführung | Belt guide | | |
| 45 | 1 | | | 1136-1088-01 | Feder | Spring | | |
| 46 | 2 | | | 9847-8113-16 | Schraube | Screw | | |
| 52 | 2 | | | 1136-0568-01 | Felge | Rim | | |
| 53 | 2 | | | 1136-0977-01 | Reifen | Tire | | |
| 54 | 2 | | | 1136-0979-01 | Innenschlauch | Inner tube | | |
| 55 | 2 | | | 9699-0119-02 | Scheibe | Washer | | |
| 56 | 2 | | | 1136-0305-01 | Scheibe | Washer | | |
| 57 | 2 | | | 9652-0015-04 | Seegersicherung | Retaining ring | | |
| 59 | 1 | | | 1136-0014-01 | Scheibe | Washer | | |
| 61 | 3 | | | 1136-0856-01 | Buchse | Bush | | |
| 62 | 1 | | | 1136-0850-01 | • Riemenscheibe | • Pulley | | |
| 63 | 1 | | | 1136-0851-01 | Mutter | Nut | | |
| 64 | 1 | | | 1136-0853-01 | Hebel m.Schraube | Lever w.screw | | |
| 65 | 2 | | | 1136-0852-01 | Bremsbeläge | Brake pad | | |
| 66 | 1 | | | 1136-0848-01 | Feder | Spring | | |
| 67 | 1 | | | 1136-0854-01 | • Bremsscheibe | • Brake disc | | |
| 68 | 1 | | | 1136-0849-01 | • Ritzel | • Pinion | | |
| 69 | 1 | | | 1136-0855-01 | • Zahnkettenrad | • Sprocket | | |
| 70 | 1 | | | 1136-0847-01 | Kette | Chain | | |
| 71 | 1 | | | 1136-0840-01 | Getriebe Kpl | Gearbox assy | | |
| 72 | 1 | | | 1136-0839-01 | Differential Kpl | Differential assy | | |
| 73 | 1 | | | 1136-1201-01 | • Schalthebel | • Gearshift lever | | |
| 74 | 1 | | | 9997-0616-16 | Schraube | Screw | | |
| 75 | 1 | | | 9678-0008-02 | Schloßscheibe | Lock washer | | |
| 76 | 1 | | | 1136-0091-01 | Scheibe | Washer | | |
| 81 | 1 | | | 1136-1205-01 | Winkel | Angle bracket | | |
| 82 | 2 | | | 9997-0616-16 | Schraube | Screw | | |
| 83 | 2 | | | 9699-0060-02 | Scheibe | Flat washer | | |
| 84 | 2 | | | 9739-0631-22 | Mutter | Nut | | |
| 85 | 1 | | | 1136-1208-01 | Bride | Clamp | | |
| 86 | 1 | | | 1136-0086-01 | Bolzen | Bolt | | |
| 87 | 1 | | | 1136-0309-01 | Scheibe | Washer | | |
| 88 | 3 | | | 9739-0831-22 | Mutter | Nut | | |
| 89 | 1 | | | 1136-1200-01 | Stange | Rod | | |

Inkl. 62, 68, 73
Inkl. 67, 69



B085



| Ausgabe Issue | | Bild Nr Picture No | | VARIOLUX 63 AME MÄHWERKHEBER | VARIOLUX 63 AME MOWER DECK LIFT | Seite Page | | |
|------------------|-----------------|-----------------------|--|---------------------------------|------------------------------------|------------------|-------------|--------------------|
| 2004- 1 | | B085 | | | | 92 | | |
| Pos. Fig. | Anzahl/Quantity | | | Artikel Nr. Part No | Bezeichnung | Description | Satz Kit | Anmerkung Notes |
| | | | | | | | | |
| 1 | 1 | | | 1136-1060-01 | Achse..... | Lift axle | | |
| 2 | 1 | | | 1136-0406-01 | Bügel | Clamp..... | | |
| 3 | 1 | | | 1136-0253-01 | Bügel | Clamp..... | | |
| 4 | 4 | | | 9847-8116-16 | Schraube | Screw | | |
| 5 | 1 | | | 1136-0961-01 | Feder | Spring | | |
| 6 | 1 | | | 1136-1082-01 | Hebel | Lift lever | | |
| 7 | 1 | | | 1136-0197-01 | Griff | Knob | | |
| 8 | 1 | | | 9997-0635-12 | Schraube | Screw | | |
| 9 | 1 | | | 9747-0631-02 | Mutter | Lock nut | | |
| 10 | 1 | | | 1136-0966-01 | Feder | Spring | | |
| 11 | 1 | | | 9847-8116-16 | Schraube | Screw | | |
| 12 | 1 | | | 1136-1063-01 | Stange | Lift rod | | |
| 13 | 1 | | | 1136-0243-01 | Gelenkbolzen | Pivot bolt..... | | |
| 14 | 1 | | | 9799-1031-02 | Mutter | Nut | | |
| 15 | 1 | | | 9747-1031-02 | Mutter | Lock nut | | |
| 16 | 4 | | | 1136-0308-01 | Scheibe..... | Washer..... | | |
| 17 | 1 | | | 9747-1031-02 | Mutter | Lock nut | | |
| 18 | 1 | | | 1136-0095-01 | Schließnadel | Hair pin | | |
| 19 | 1 | | | 1136-1061-01 | Hebeachse | Lift axle | | |
| 20 | 2 | | | 1136-0406-01 | Bügel | Clamp | | |
| 21 | 4 | | | 9847-8119-16 | Schraube | Screw | | |
| 22 | 2 | | | 1136-0308-01 | Scheibe..... | Washer..... | | |
| 23 | 1 | | | 1136-0095-01 | Schließnadel | Hair pin | | |
| 24 | 1 | | | 1136-0226-01 | Gelenkbolzen | Pivot bolt..... | | |
| 25 | 1 | | | 9747-1031-02 | Mutter | Lock nut | | |
| 26 | 1 | | | 9799-1031-02 | Mutter | Nut | | |
| 27 | 1 | | | 9997-1090-12 | Schraube | Screw | | |
| 28 | 2 | | | 9699-0035-02 | Scheibe..... | Flat washer..... | | |
| 29 | 1 | | | 1136-0002-01 | Mutter..... | Nut | | |
| 30 | 2 | | | 1136-0308-01 | Scheibe..... | Washer..... | | |
| 31 | 1 | | | 9747-1031-02 | Mutter | Lock nut | | |
| 32 | 1 | | | 1136-0934-01 | Stange | Rod | | |
| 33 | 1 | | | 1136-0235-01 | Gelenkbolzen | Pivot bolt..... | | |
| 34 | 1 | | | 9799-0831-02 | Mutter | Nut | | |
| 35 | 1 | | | 9747-0831-02 | Mutter..... | Lock nut | | |
| 36 | 3 | | | 1136-0309-01 | Scheibe..... | Washer..... | | |
| 37 | 1 | | | 9747-0831-02 | Mutter..... | Lock nut | | |
| 38 | 1 | | | 1136-0095-01 | Schließnadel | Hair pin | | |

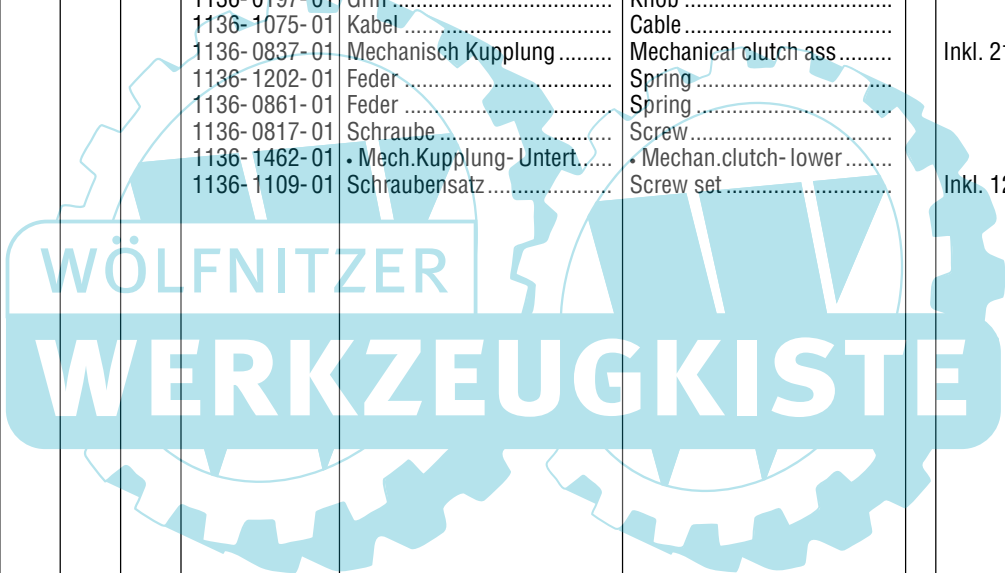


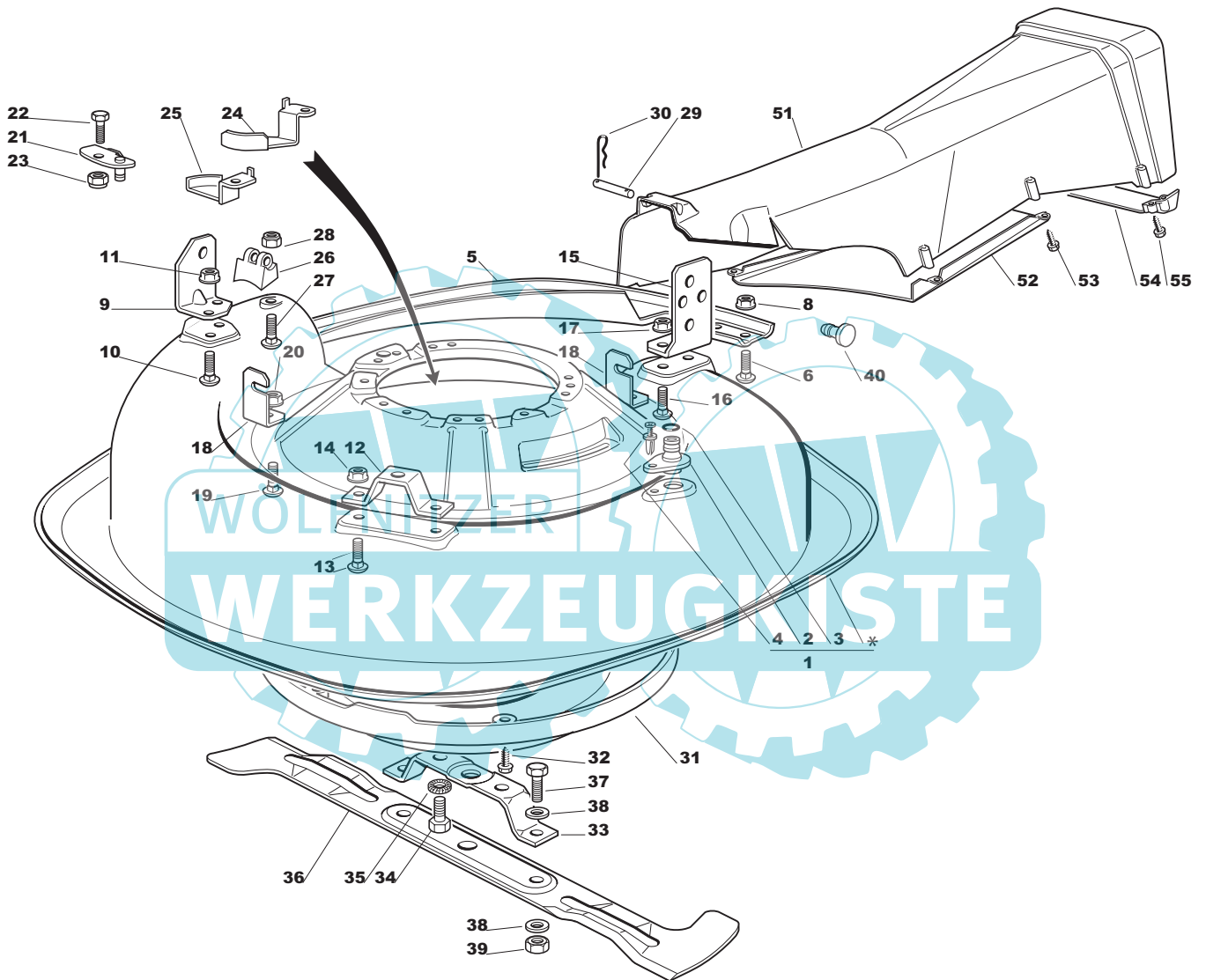
B086A



| Ausgabe Issue | | Bild Nr Picture No | | VARIOLUX 63 AME MÄHWERKEINKUPPLUNG | | VARIOLUX 63 AME MOWER DECK ENGAGEMENT | | Seite Page | |
|------------------|-----------------|-----------------------|--|---------------------------------------|---|--|-------------|---------------|--------------------|
| 2004- 1 | | B086A | | | | | | 94 | |
| Pos. Fig. | Anzahl/Quantity | | | | Artikel Nr. Part No | Bezeichnung | Description | Satz Kit | Anmerkung Notes |
| | | | | | | | | | |
| 1 | 1 | | | | 1136-0967-01 Gleitblock..... | Gliding shoe..... | | | |
| 2 | 2 | | | | 9997-0616-16 Schraube..... | Screw..... | | | |
| 3 | 2 | | | | 9747-0631-02 Mutter..... | Lock nut..... | | | |
| 4 | 1 | | | | 1136-0969-01 Bolzen..... | Pin..... | | | |
| 5 | 1 | | | | 1136-0309-01 Scheibe..... | Washer..... | | | |
| 6 | 1 | | | | 1136-0089-01 Scheibe..... | Washer..... | | | |
| 7 | 1 | | | | 9747-0831-02 Mutter..... | Lock nut..... | | | |
| 8 | 1 | | | | 1136-1081-01 Einkupplungshebel..... | Engagement lever..... | | | |
| 9 | 2 | | | | 1136-0857-01 Scheibe..... | Washer..... | | | |
| 10 | 1 | | | | 9598-0002-02 Schließnadel..... | Pin lock..... | | | |
| 12 | 1 | | | | 1136-0819-01 • Schraube..... | • Screw..... | | | |
| 13 | 1 | | | | 9747-0531-02 • Mutter..... | • Nut..... | | | |
| 14 | 1 | | | | 1136-1084-01 Einkuppl.hebel- obere..... | Engagem. lever- upper..... | | | |
| 15 | 1 | | | | 1136-0197-01 Griff..... | Knob..... | | | |
| 16 | 1 | | | | 1136-1075-01 Kabel..... | Cable..... | | | |
| 17 | 1 | | | | 1136-0837-01 Mechanisch Kupplung..... | Mechanical clutch ass..... | | Inkl. 21 | |
| 18 | 1 | | | | 1136-1202-01 Feder..... | Spring..... | | | |
| 19 | 1 | | | | 1136-0861-01 Feder..... | Spring..... | | | |
| 20 | 1 | | | | 1136-0817-01 Schraube..... | Screw..... | | | |
| 21 | 1 | | | | 1136-1462-01 • Mech.Kupplung- Untert..... | • Mechan.clutch- lower..... | | | |
| 99 | 1 | | | | 1136-1109-01 Schraubensatz..... | Screw set..... | | Inkl. 12, 13 | |

X

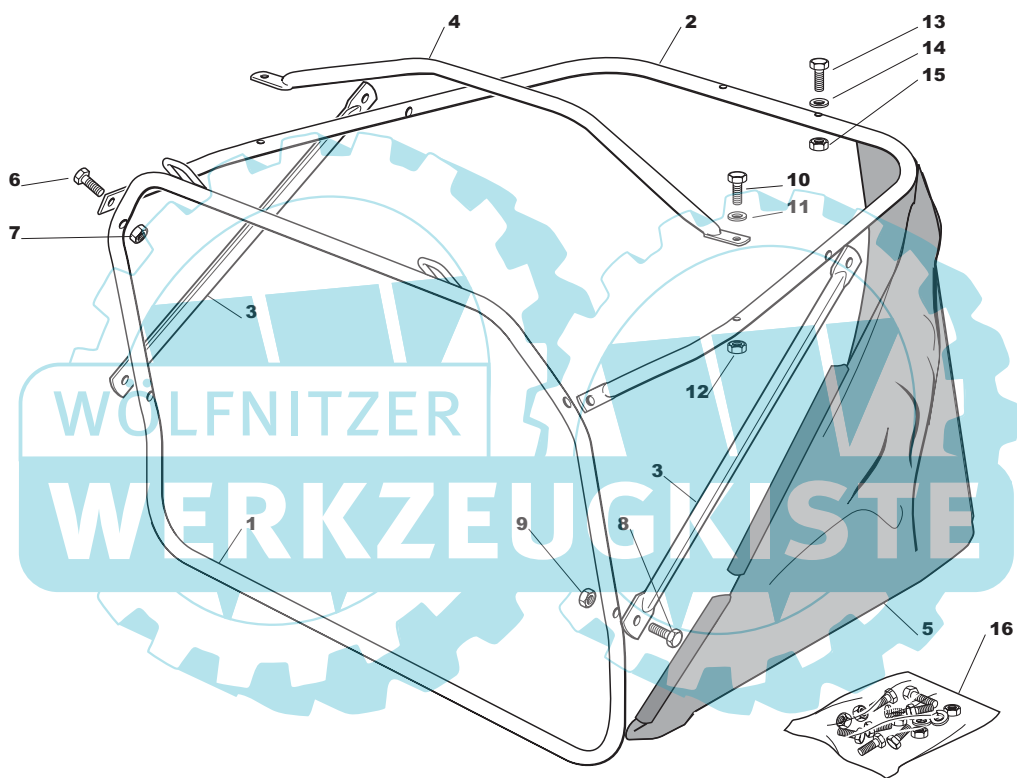




B087A



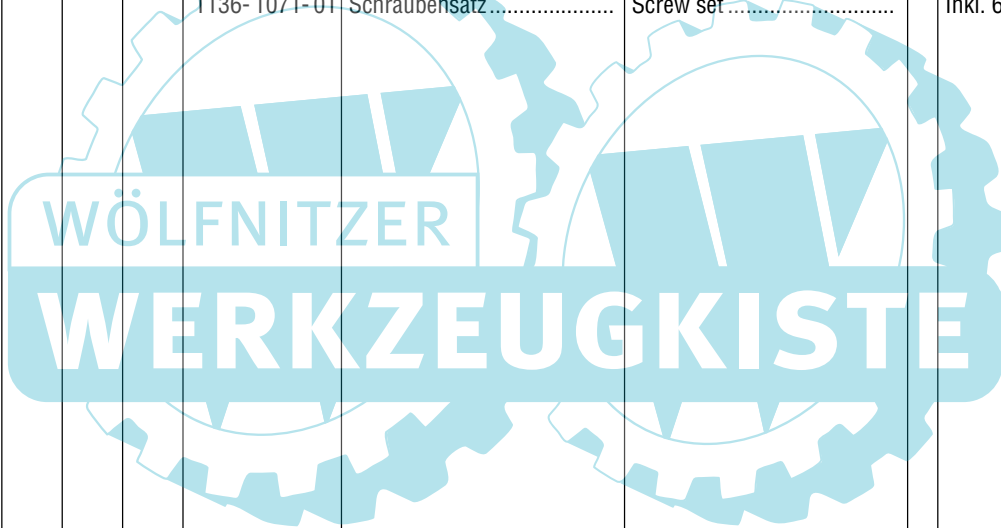
| Ausgabe Issue 2004- 1 | | Bild Nr Picture No B087A | | VARIOLUX 63 AME MÄHWERK | | VARIOLUX 63 AME MOWER DECK | | Seite Page 96 | |
|-----------------------------|-----------------|--------------------------------|--|----------------------------|------------------------|-------------------------------|------------------------------|---------------------|--------------------|
| Pos. Fig. | Anzahl/Quantity | | | | Artikel Nr. Part No | Bezeichnung | Description | Satz Kit | Anmerkung Notes |
| | | | | | | | | | |
| 1 | 1 | | | | 1136-1092-01 | Mähwerkhaube | Mower deck casing | | Inkl. 2 - 4 |
| 2 | 1 | | | | 1136-0120-01 | • Wasseranschluß | • Water hose connection..... | | |
| 3 | 1 | | | | 1136-0068-01 | • O- ring..... | • O- ring | | |
| 4 | 1 | | | | 1136-0012-01 | • Niet | • Rivet..... | | |
| 5 | 1 | | | | 1136-1093-01 | Verstärkung | Reinforcement..... | | |
| 6 | 4 | | | | 9898-0616-16 | Schraube | Screw..... | | |
| 8 | 4 | | | | 9739-0631-22 | Mutter | Nut | | |
| 9 | 1 | | | | 1136-1004-01 | Bügel | Clamp..... | | |
| 10 | 2 | | | | 1136-0825-01 | Schraube | Screw..... | | |
| 11 | 2 | | | | 9739-0831-22 | Mutter | Nut | | |
| 12 | 1 | | | | 1136-1008-01 | Bügel | Clamp..... | | |
| 13 | 2 | | | | 1136-0825-01 | Schraube | Screw..... | | |
| 14 | 2 | | | | 9739-0831-22 | Mutter | Nut | | |
| 15 | 1 | | | | 1136-1006-01 | Bügel | Clamp..... | | |
| 16 | 2 | | | | 1136-0825-01 | Schraube | Screw..... | | |
| 17 | 2 | | | | 9739-0831-22 | Mutter | Nut | | |
| 18 | 2 | | | | 1136-0998-01 | Winkel | Angle bracket | | |
| 19 | 2 | | | | 1136-0825-01 | Schraube | Screw..... | | |
| 20 | 2 | | | | 9739-0831-22 | Mutter | Nut | | |
| 21 | 1 | | | | 1136-1091-01 | Platte | Plate | | |
| 22 | 1 | | | | 9997-0816-16 | Schraube | Screw..... | | |
| 23 | 1 | | | | 9747-0831-02 | Mutter | Lock nut | | |
| 24 | 1 | | | | 1136-0974-01 | Platte | Plate | | |
| 25 | 1 | | | | 1136-0975-01 | Platte | Plate | | |
| 26 | 1 | | | | 1136-0951-01 | Haken | Hook | | |
| 27 | 1 | | | | 9898-0620-16 | Schraube | Screw..... | | |
| 28 | 1 | | | | 9747-0631-02 | Mutter | Lock nut | | |
| 29 | 1 | | | | 1136-0401-01 | Bolzen..... | Pin | | |
| 30 | 2 | | | | 1136-0095-01 | Schließnadel..... | Hair pin | | |
| 31 | 1 | | | | 1136-1203-01 | Schutz | Guard | | |
| 32 | 5 | | | | 1136-0615-01 | Schraube | Screw..... | | |
| 33 | 1 | | | | 1136-1012-01 | Messerhalter..... | Blade bracket | | |
| 34 | 2 | | | | 1136-0823-01 | Schraube | Screw..... | | |
| 35 | 2 | | | | 1136-0809-01 | Scheibe..... | Washer..... | | |
| 36 | 1 | | | | 1136-1068-01 | Messer..... | Blade | | |
| 37 | 2 | | | | 9997-0820-16 | Schraube | Screw..... | | |
| 38 | 4 | | | | 9699-0056-02 | Scheibe..... | Flat washer..... | | |
| 39 | 2 | | | | 9712-0831-02 | Mutter | Lock nut | | |
| 40 | 1 | | | | 1136-0386-01 | Gummi..... | Grommet..... | | |
| 51 | 1 | | | | 1136-0944-01 | Auswurfrohr | Discharge chute | | |
| 52 | 1 | | | | 1136-0949-01 | Abweiser..... | Deflector | | |
| 53 | 5 | | | | 9836-9618-12 | Schraube | Screw..... | | |
| 54 | 1 | | | | 1136-0991-01 | Verstärkung | Reinforcement..... | | |
| 55 | 2 | | | | 9836-9635-12 | Schraube | Screw..... | | |

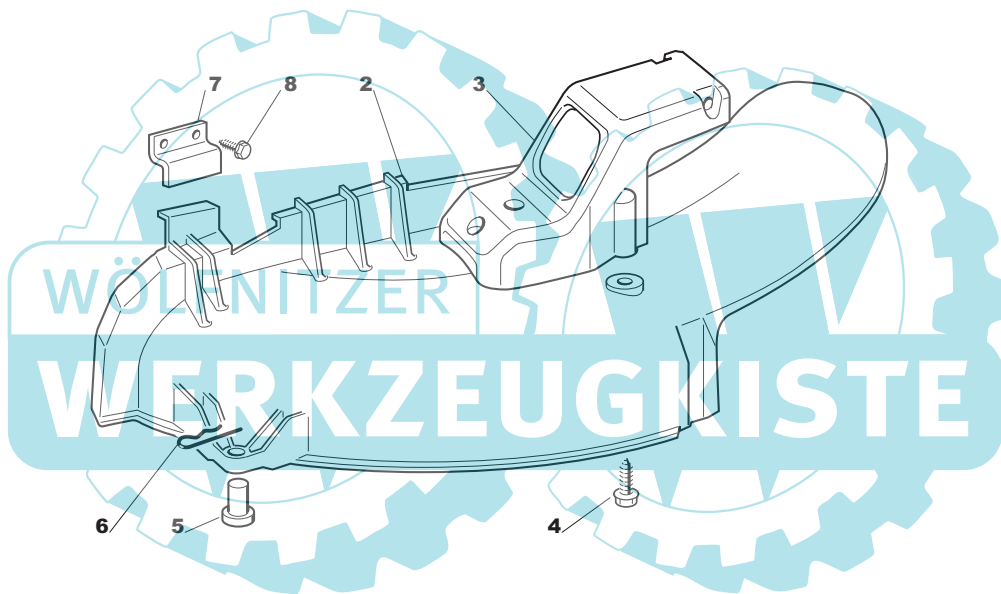


B088



| Ausgabe Issue 2004- 1 | | Bild Nr Picture No B088 | | VARIOLUX 63 AME GRASSFANGSACK | | VARIOLUX 63 AME GRASS CATCHER | | Seite Page 98 | |
|-----------------------------|-----------------|-------------------------------|--|----------------------------------|------------------------|----------------------------------|---------------------|---------------------|--------------------|
| Pos. Fig. | Anzahl/Quantity | | | | Artikel Nr. Part No | Bezeichnung | Description | Satz Kit | Anmerkung Notes |
| | | | | | | | | | |
| 1 | 1 | | | | 1136-1104-01 | Rahmen- vordere | Frame- front | | |
| 2 | 1 | | | | 1136-1103-01 | Rahmen- obere | Frame- upper | | |
| 3 | 2 | | | | 1136-0989-01 | Verstärkung | Reinforcement | | |
| 4 | 1 | | | | 1136-1087-01 | Griff | Handle | | |
| 5 | 1 | | | | 1136-1067-01 | Grassack | Grass bag | | |
| 6 | 2 | | | | 1136-0819-01 | • Schraube | • Screw | | |
| 7 | 2 | | | | 9747-0531-02 | • Mutter | • Nut | | |
| 8 | 4 | | | | 1136-0819-01 | • Schraube | • Screw | | |
| 9 | 4 | | | | 9747-0531-02 | • Mutter | • Nut | | |
| 10 | 2 | | | | 9997-0535-12 | • Schraube | • Screw | | |
| 11 | 2 | | | | 9699-0035-02 | • Scheibe | • Flat washer | | |
| 12 | 2 | | | | 9747-0531-02 | • Mutter | • Nut | | |
| 13 | 2 | | | | 1136-0811-01 | • Schraube | • Screw | | |
| 14 | 2 | | | | 9699-0035-02 | • Scheibe | • Flat washer | | |
| 15 | 2 | | | | 9747-0531-02 | • Mutter | • Nut | | |
| 16 | 1 | | | | 1136-1071-01 | Schraubensatz | Screw set | | Inkl. 6 - 15 |





B089



| Ausgabe Issue 2004- 1 | | Bild Nr Picture No B089 | | MULCHINGSATZ VARIOLUX 63 AME ART. NR 13-0926- 11 | | MULCHER KIT VARIOLUX 63 AME ART. NO 13-0926- 11 | | Seite Page 100 | |
|-----------------------------|-----------------|-------------------------------|--|--|-------------------|---|-------------|----------------------|--|
| Pos. Fig. | Anzahl/Quantity | | | Artikel Nr. Part No | Bezeichnung | Description | Satz Kit | Anmerkung Notes | |
| | | | | | | | | | |
| 2 | 1 | | | 1136-0948-01 | Abweiser..... | Deflector | | | |
| 3 | 1 | | | 1136-0952-01 | Drehpunkt..... | Fulcrum..... | | | |
| 4 | 3 | | | 9836-9635-12 | Schraube | Screw..... | | | |
| 5 | 1 | | | 1136-0229-01 | Bolzen..... | Pin | | | |
| 6 | 1 | | | 9598-0002-02 | Schließnadel..... | Pin lock..... | | | |
| 7 | 1 | | | 1136-1207-01 | Bride..... | Clamp..... | | | |
| 8 | 2 | | | 9848-8013-16 | Schraube | Screw..... | | | |

